



## Modular Cooking Range Line 700XP 2-Hot Plates Electric Boiling Top Range

ITEM # \_\_\_\_\_

MODEL # \_\_\_\_\_

NAME # \_\_\_\_\_

SIS # \_\_\_\_\_

AIA # \_\_\_\_\_



**371014 (E7ECED2R00)** 2-hot plate (2,6 kW each)  
electric boiling top

**371126 (E7ECED2R0N)** 2-hot plate (2,6 kW each)  
electric boiling top

### Short Form Specification

**Item No.** \_\_\_\_\_

To be installed on open base installations, bridging supports or cantilever systems. Two 2.6 kW cast-iron hot plates hermetically sealed to the one-piece top. Exterior panels in stainless steel with Scotch Brite finish. One piece pressed work top in 1.5 m

### Main Features

- Unit to be mounted on open base cupboards, bridging supports or cantilever systems.
- The two 2.6kW cast-iron plates are hermetically sealed to the one-piece top.
- The special design of the control knob system guarantees against water infiltration.
- IPx4 water protection.
- Suitable for countertop installation.

### Construction

- External panel in Stainless Steel with Scotch Brite finish.
- One piece pressed 1.5 mm work top in Stainless steel.
- Model has right-angled side edges to allow flush fitting joints between units, eliminating gaps and possible dirt traps.

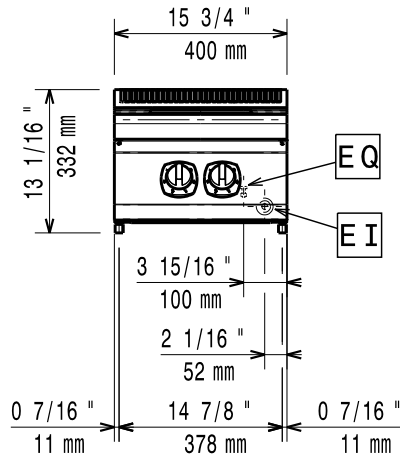
### Optional Accessories

- Junction sealing kit PNC 206086
- Support for bridge type system, 800mm PNC 206137
- Support for bridge type system, 1000mm PNC 206138
- Support for bridge type system, 1200mm PNC 206139
- Support for bridge type system, 1400mm PNC 206140
- Support for bridge type system, 1600mm PNC 206141
- Support for bridge type system, 400mm PNC 206154
- Water coulmn with swivel arm (water column extension not included) PNC 206289
- Water column extension for 700 line PNC 206291
- Chimney upstand, 400mm PNC 206303
- Right and left side handrails PNC 206307
- BACK HANDRAIL 800 MM - MARINE PNC 206308
- Chimney grid net, 400mm PNC 206400
- Frontal handrail 400mm PNC 216046
- Frontal handrail 800mm PNC 216047
- Frontal handrail 1200mm PNC 216049
- Frontal handrail 1600mm PNC 216050
- Large handrail - portioning shelf, 400mm PNC 216185
- Large handrail - portioning shelf, 800mm (only for 371126) PNC 216186
- 2 side covering panels for top appliances PNC 216277
- 1 full size basket for 14/15lt fryers (only for 371126) PNC 921691

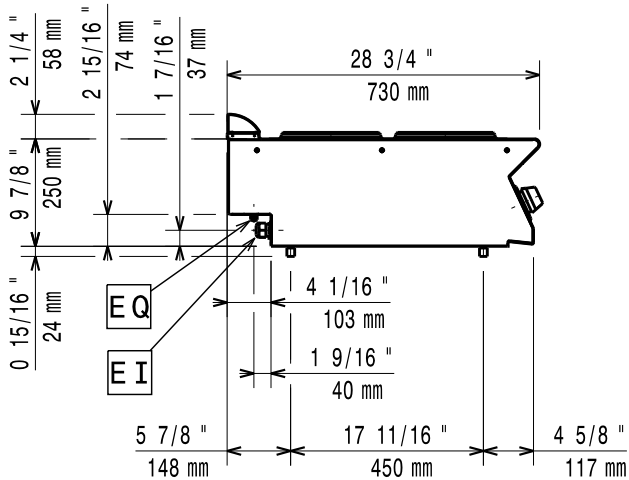
APPROVAL: \_\_\_\_\_



Front

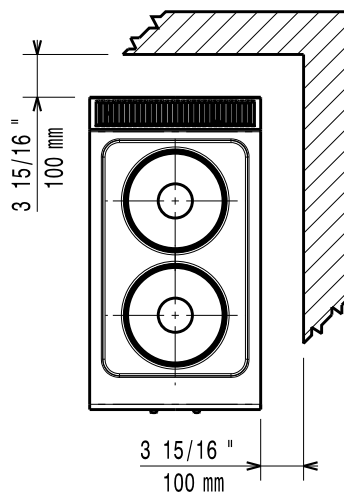


Side



EI = Electrical inlet (power)  
 EQ = Equipotential screw

Top



### Electric

#### Supply voltage:

371014 (E7ECED2R00)	380-400 V/3 ph/50-60 Hz
371126 (E7ECED2R0N)	230 V/3 ph/50/60 Hz

#### Predisposed for:

Total Watts: 5.2 kW

### Key Information:

If appliance is set up or next to or against temperature sensitive furniture or similar, a safety gap of approximately 150 mm should be maintained or some form of heat insulation fitted.

External dimensions, Width: 400 mm

External dimensions, Depth: 730 mm

External dimensions, Height: 250 mm

Net weight: 20 kg

#### Shipping weight:

371014 (E7ECED2R00)	23.75 kg
371126 (E7ECED2R0N)	24 kg

#### Shipping height:

371014 (E7ECED2R00)	520 mm
371126 (E7ECED2R0N)	540 mm

#### Shipping width:

460 mm

#### Shipping depth:

371014 (E7ECED2R00)	800 mm
371126 (E7ECED2R0N)	820 mm

#### Shipping volume:

371014 (E7ECED2R00)	0.19 m <sup>3</sup>
371126 (E7ECED2R0N)	0.2 m <sup>3</sup>

#### Certification group:

371014 (E7ECED2R00)	EH72T
371126 (E7ECED2R0N)	N7CE1

#### Front Plates Power:

2.6 - 0 kW

#### Back Plates Power:

2.6 - kW

#### Front Plates dimensions:

Ø 230

#### Back Plates dimensions:

Ø 230